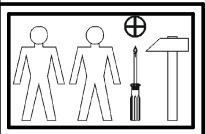
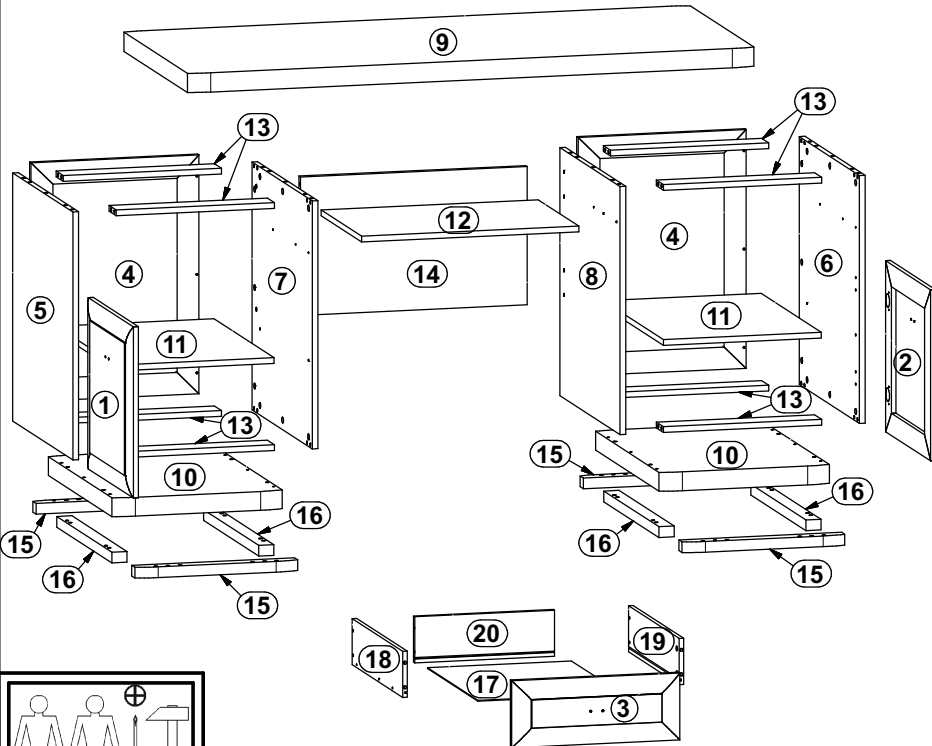
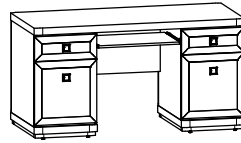


# OREGON

## S157-BIU2D2S

A	B	C	D	A	B	C	D	
1	S157-0007	445	445	4/4	11	S157-3306	418 594	1/4
2	S157-0008	445	445	4/4	12	S157-3307	575 400	1/4
3	S157-0011	445	174	4/4	13	S157-4406	419 70	3/4
4	S157-0012	621	445	4/4	14	S157-4407	600 360	1/4
5	S157-1117	645	595	1/4	15	S157-5507	433 40	3/4
6	S157-1118	645	595	1/4	16	S157-512	545 40	3/4
7	S157-1119	645	595	1/4	17	S157-9912	381 498	2/4
8	S157-1120	645	595	1/4	18	ZS2-509	500 120	1/4
9	S157-2210	1504	645	2/4	19	ZS2-510	500 120	1/4
10	S157-2211	453	645	2/4	20	ZS2-5523	370 120	1/4



4x a44	4x b19	4x c333	8x d1 φ6x17 mm	20x e1 φ7x50 mm	12x e19 φ5x50 mm	8x e2 φ4.5x13 mm	18x e3 φ6x13 mm	68x f1 φ8x50 mm
8x f25 φ6.5x40 mm	8x j59 x4x18 mm	8x k3912 M6x9x14 mm	8x k3913 φ5.5x13 mm	4x p27 φ5.5x13 mm	8x p51 φ5.5x15 mm	36x r1 φ1.5x12 mm	8x r15 φ12x10 mm	44x r42
2x w26\CL 500 mm	2x w26\CR 500 mm	2x w26\DL 500 mm	2x w26\DR 500 mm	1x w45\CL 350 mm	1x w45\CR 350 mm	1x w45\DL 350 mm	1x w45\DR 350 mm	2x s1
24x s2 φ16	1x z1							

